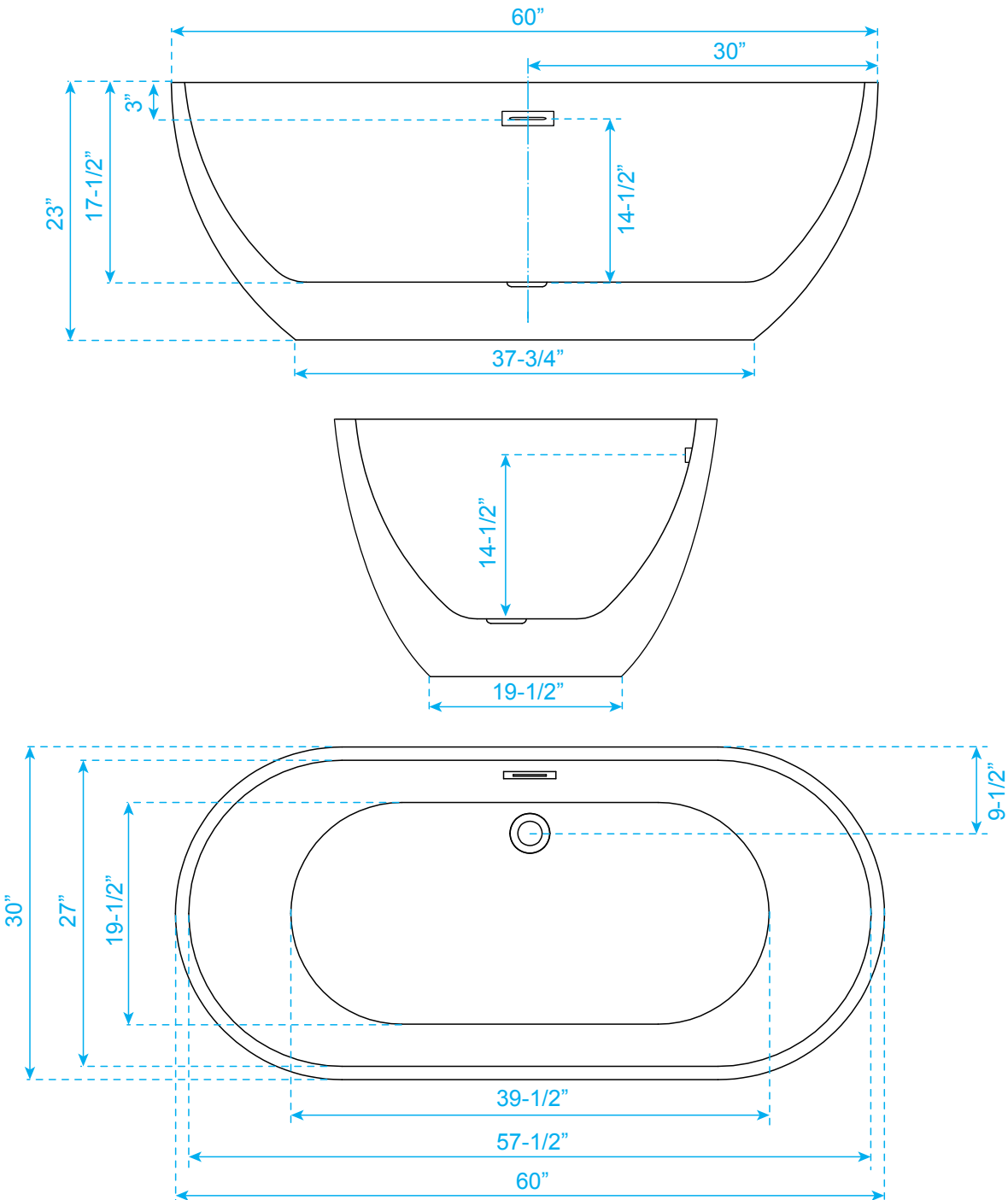


WYNDHAM COLLECTION

Exterior Size - 60"L x 30"W x 23"H
Interior Size - 57-1/2"L x 27"W x 17-1/2"H
Depth at Drain - 17-1/2"
Drain to Overflow - 14-1/2"
Maximum Fill - 64 Gallons
Note - All Measurements are $\pm 1/2$ "



QUMB2000-60